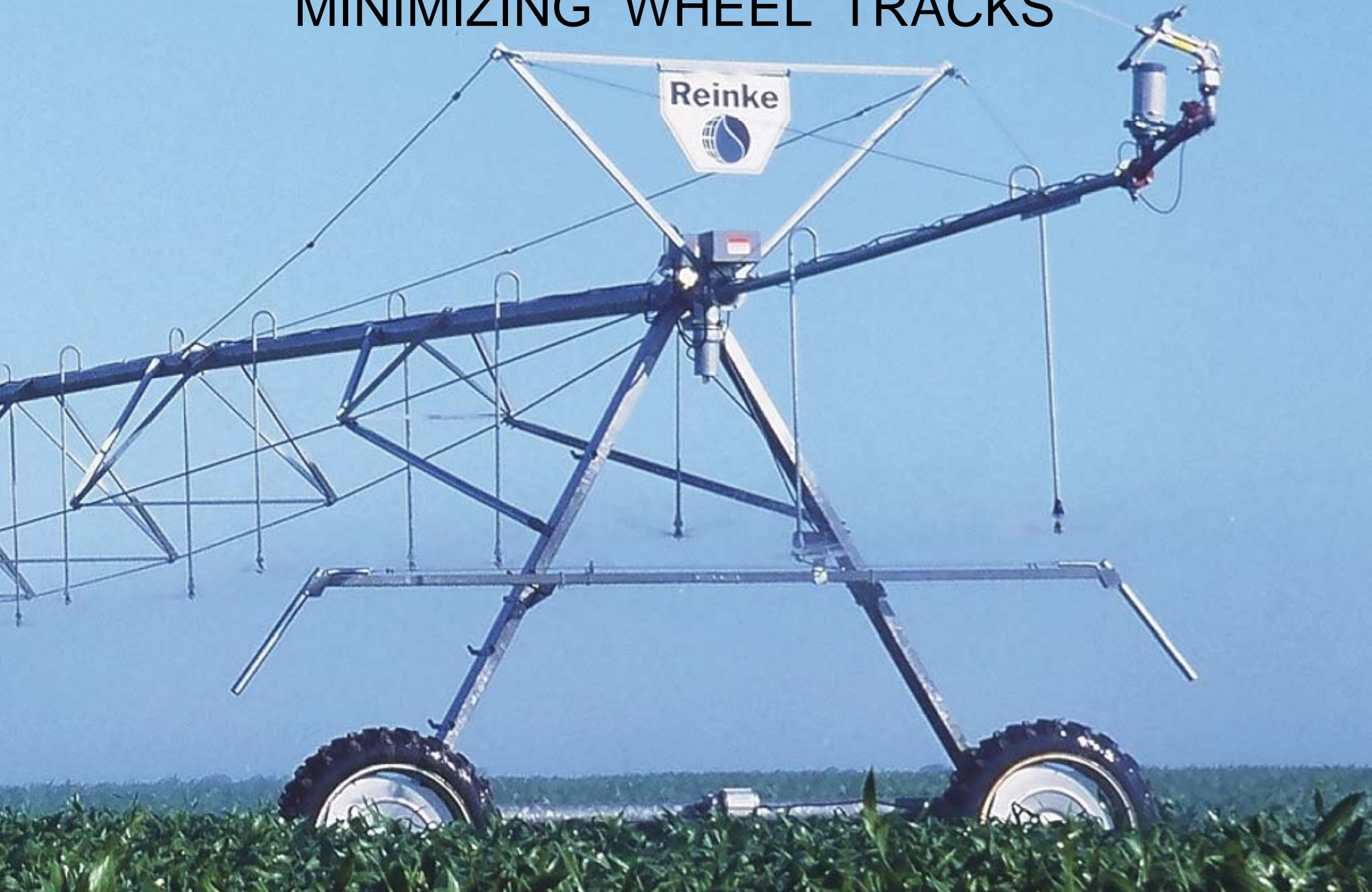


FLOTATION and TRACTION SOLUTIONS MINIMIZING WHEEL TRACKS



Reinke®

Flotation and Traction Solutions



REDUCED TRACKING OPTIONS

- **Efficient Design**

By the Design and Efficient Use of High Strength Steel, the Reinke Irrigation System weighs 10% to 14% Less than Other Irrigation Systems of Comparable Length and Pipe Diameter.

The Reinke Model E2065, 160' Span, with 6-5/8" Pipe, Weighs 5,327 lbs (with water) compared to much Heavier Systems weighing as much as 6,200 lbs.

That's a Difference of 823 lbs, or 14%!

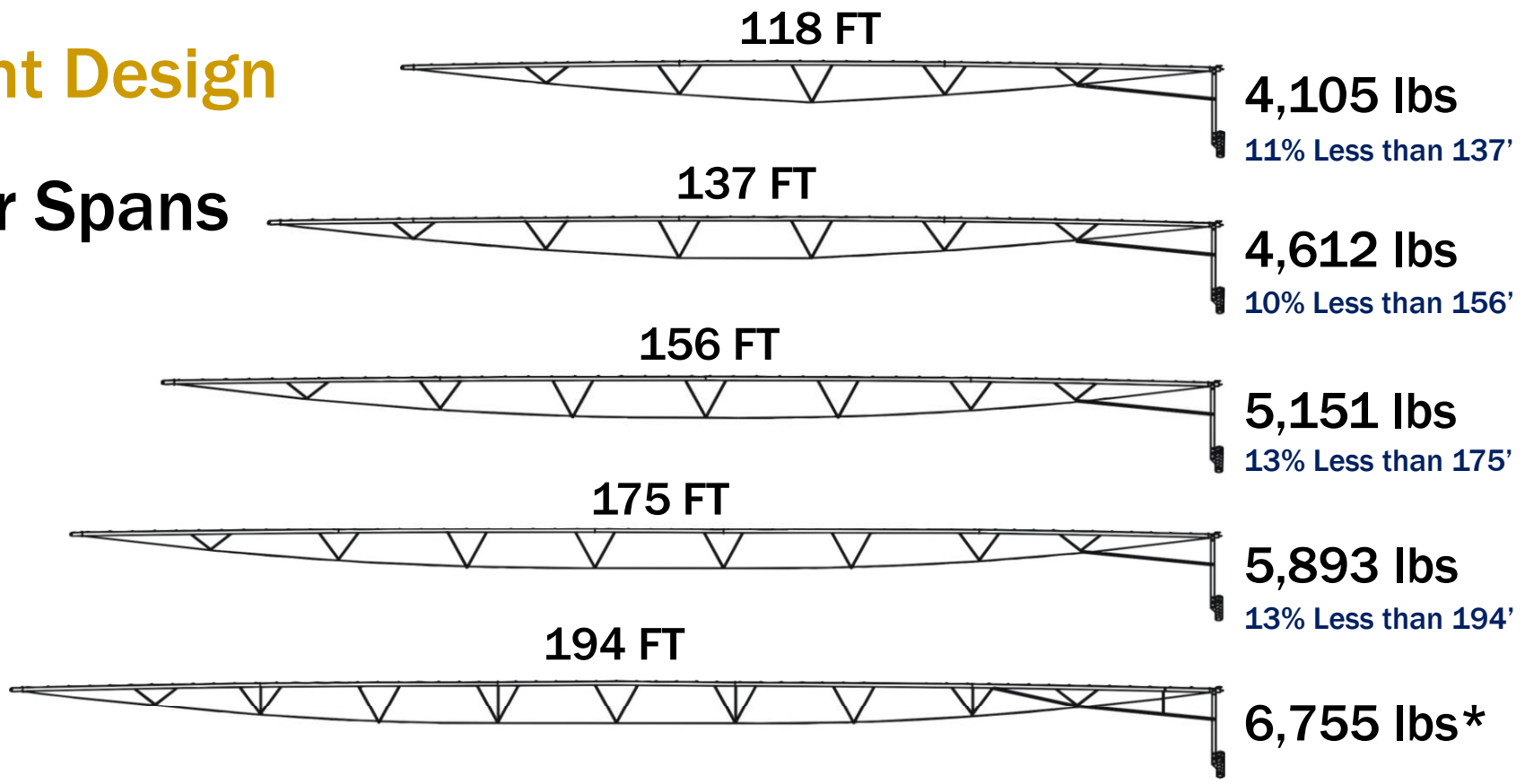


"Our mission... to exceed our customers' expectations of quality, service, and innovation."



REDUCED TRACKING OPTIONS

- **Efficient Design**
- **Shorter Spans**



Tower Weight Figured with Water, 6-5/8" Pipe and 11.2 x 24 (*11 x 22.5) Tires

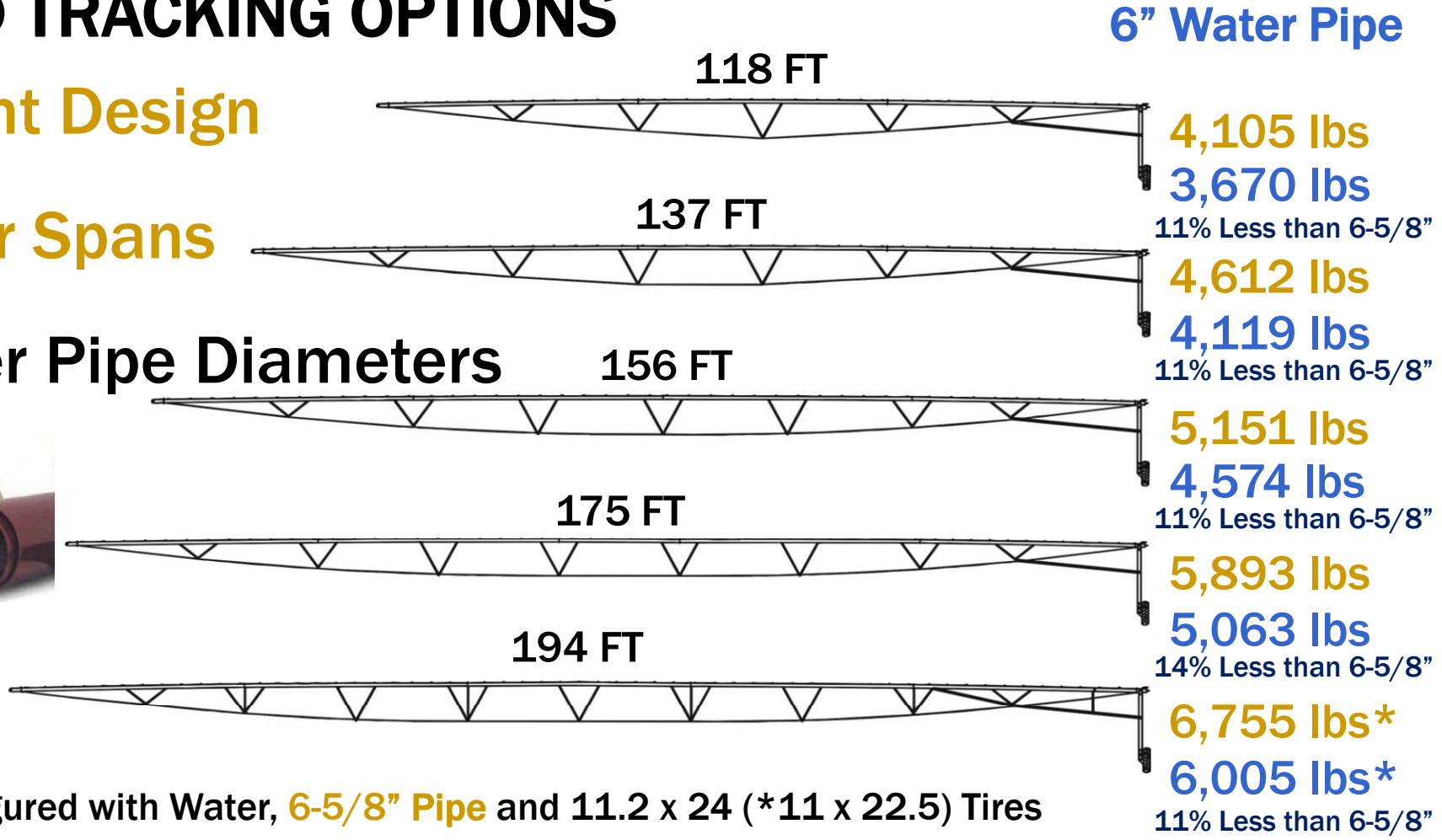
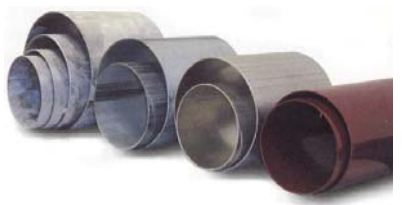
15% to 20% Slope Limitation for 160' Spans or Less





REDUCED TRACKING OPTIONS

- Efficient Design
- Shorter Spans
- Smaller Pipe Diameters



6" Water Pipe

Tower Weight Figured with Water, 6-5/8" Pipe and 11.2 x 24 (*11 x 22.5) Tires

15% to 20% Slope Limitation for 160' Spans or Less





REDUCED TRACKING OPTIONS

- **Efficient Design**
- **Shorter Spans**
- **Smaller Pipe Diameters**
- **Taller and/or Wider Tires**

TIRE SIZE	3" Penetration(sq.in.)*
11 x 22.5	280
w/agri-TRAC	439
11.2 x 24	268
14.9 x 24	350
16.9 x 24	533
11.2 x 38	320
13.6 x 38	437



Increasing the surface contact area of the tire reduces the Lbs/Square Inch exerted on the soil

*Firestone Farm Tire Data Book



Reinke®

Flotation and Traction Solutions



REDUCED TRACKING OPTIONS

- Efficient Design
- Shorter Spans
- Smaller Pipe Diameters
- Taller and/or Wider Tires
- Tracks Around Tires



Creates a Snow Shoe Effect to
Reduce the pounds per square inch



"Our mission... to exceed our customers' expectations of quality, service, and innovation."

Reinke®

Flotation and Traction Solutions



REDUCED TRACKING OPTIONS

Agri-TRACS on Recap Tires



Before agri-TRAC



After agri-TRAC



"Our mission... to exceed our customers' expectations of quality, service, and innovation."

Reinke®

Flotation and Traction Solutions



REDUCED TRACKING OPTIONS

Alumigator IV

The Alumigator for more than 40 years, is still today, the best irrigation system for minimizing the depth of wheel tracks due to its dramatic weight advantage.

It features marine grade aluminum, 6" water pipe and a nearly all aluminum structure.



"Our mission... to exceed our customers' expectations of quality, service, and innovation."

Reinke®

Flotation and Traction Solutions



REDUCED TRACKING OPTIONS

Alumigator IV and A60G

The A60G (marine grade Aluminum 6" water pipe with all Galvanized structure) and Alumigator IV spans can be placed on the end of any Electrogator II system to help alleviate the tracking issues associated with spans weighing much more.



With Mechanized Irrigation Equipment:

“Heavier” is NOT “Stronger” and is a Feature to Avoid!



"Our mission... to exceed our customers' expectations of quality, service, and innovation."



2-Wheel Tower, 160' Span Weights (Wet) Converted to Lbs./sq.in.

11% to 12% ← Reduction In Lbs/sq.in. → 46% to 47%

System Model	11.2 x 24 Weight*	11.2 x 24 Lbs/sq in	11.2 x 38 Weight*	11.2 x 38 Lbs/sq in	16.9 x 24 Weight*	16.9 x 24 Lbs/sq in
Alumi IV	3824	7.13	4074	6.37	4094	3.84
EII A60G	4447	8.30	4697	7.34	4717	4.42
EII 2060	4808	8.97	5058	7.90	5078	4.76
EII 2065	5327	9.94	5577	8.71	5597	5.25
Other	6204	12.82	6464	10.10	6474	6.07

38%
28%
23%
14%
↑
Reduction in Span Weight

*System weights are approximate

Reinke®

Flotation and Traction Solutions



REDUCED TRACKING OPTIONS

- Efficient Design
- Shorter Spans
- Smaller Pipe Diameters
- Taller and/or Wider Tires
- Tracks Around Tires
- Three Wheel Drive Towers



"Our mission... to exceed our customers' expectations of quality, service, and innovation."



2-Wheel Tower, 160' Span Weights (Wet) and Lbs./sq.in.

System Model	11.2 x 24 Weight*	11.2 x 24 Lbs/sq in	11.2 x 38 Weight*	11.2 x 38 Lbs/sq in	16.9 x 24 Weight*	16.9 x 24 Lbs/sq in
Alumi IV	3824	7.13	4074	6.37	4094	3.84
EII A60G	4447	8.30	4697	7.34	4717	4.42
EII 2060	4808	8.97	5058	7.90	5078	4.76
EII 2065	5327	9.94	5577	8.71	5597	5.25

3-Wheel Fixed Tower, 160' Span Weights (Wet) and Lbs./sq.in.

EII 2060	5146	6.40	5524	5.75	5549	3.47
EII 2065	5665	7.05	6044	6.30	6068	3.79
Other	6604	8.21	6981	7.27	7006	4.38

*System weights are approximate



3-Wheel Flex Tower, 160' Span Weights (Wet) and Lbs./sq.in.

System Model	11.2 x 24 Weight*	11.2 x 24 Lbs/sq in	11.2 x 38 Weight*	11.2 x 38 Lbs/sq in	16.9 x 24 Weight*	16.9 x 24 Lbs/sq in
EII 2060	5207	6.48	5585	5.82	5610	3.51
EII 2065	5726	7.12	6104	6.36	6129	3.83

*System weights are approximate

Provides Maximum Traction and Flotation on Challenging Terrain



Narrow Tower Profile Provides Minimum Disturbance of Crop, Natural Habitat and Water Distribution



"Our mission... to exceed our customers' expectations of quality, service, and innovation."

FLOTATION and TRACTION SOLUTIONS

MINIMIZING WHEEL TRACKS

